

PHILIPS

Sensors



Specification Sheet

OCC SENSOR IA CM IP65 WH / OCC-DL SENSOR IA CM IP65 WH

Philips wireless occupancy sensor and multi sensor, which are Interact Ready, mean easy upgrade to a smart lighting system. Its 2.4GHz Zigbee technology enables reliable and secure communication towards the lights in your space. It triggers automatic responses to turn on, or dim the lights according to occupancy detection and daylight variation. The sensor is designed for waterproof applications and low to mid-bay heights.

OCC SENSOR IA CM IP65 WH / OCC-DL SENSOR IA CM IP65 WH

Product Features

Occupancy Detection

- Passive Infrared (PIR) technology to detect occupancy accurately
- Adjustable sensitivity. Minimum false trigger

Daylight Sensing

- High accuracy of ambient light measurement from ~1-5000 LUX at floor level
- Closed loop daylight regulation
- Daylight fast report for calibration

Installation

- Battery-powered, no mains wire required
- Walk test mode available for optimal detection
- Waterproof applications

Environment

- ROHS/REACH compliant
- No Mercury
- Low Carbon Footprint

Connectivity

- 2.4 GHz mesh networking technology
- Reliable and secure wireless communication, nominal range 15 m
- Easy commissioning

Control Functionality

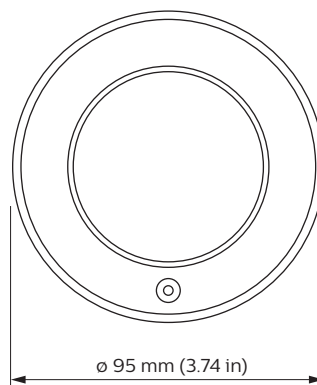
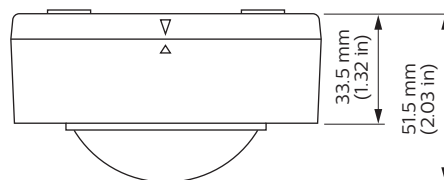
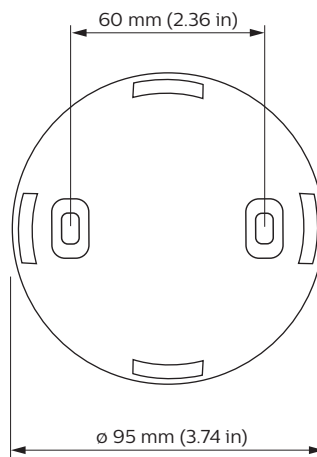
- Automatic light control based on occupancy detection and daylight sensing
- Adjustable sensor parameters for personalized lighting behaviors

Reliability

- Reliable operation between -40 °C and 50 °C ambient temperature.*
- IP65 (IEC standard 60529)
- Battery life > 10 years
- MTBFP (Meantime Before False Positive motion sensor) >500 hr at medium sensitivity

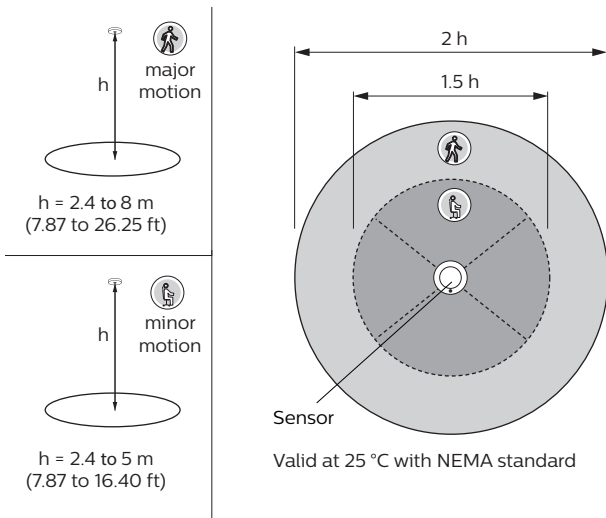
* PIR sensing performance is affected by the difference in temperature between the moving object and the ambient.

Dimensional drawings

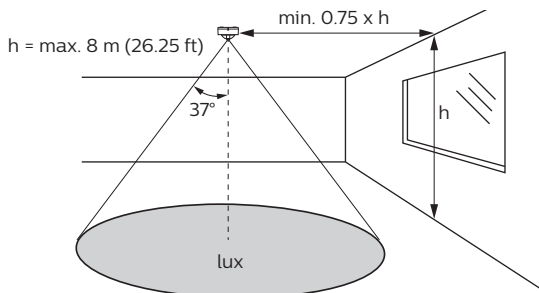


Field-of-View

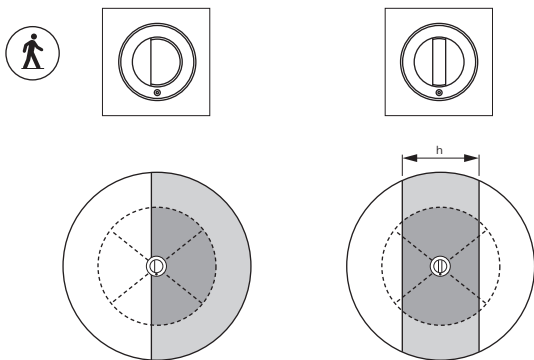
Field of view motion



Field of view daylight

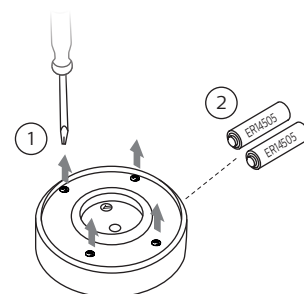
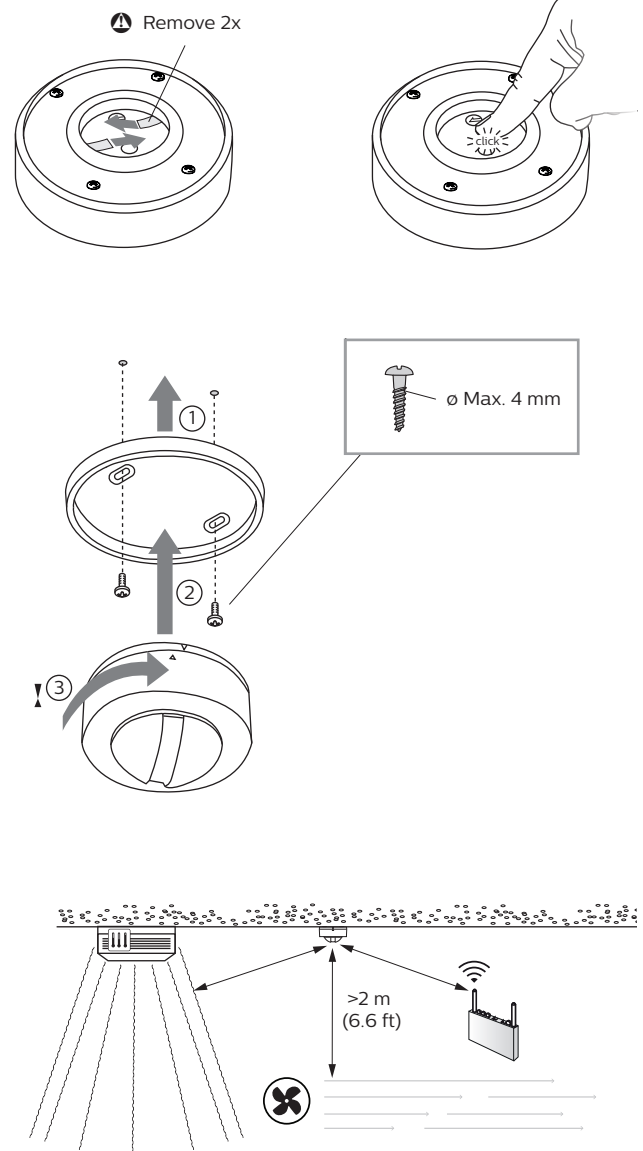


Motion field of view can be reduced using the plastic shield on top of the lens



Installation Instructions

Network commission

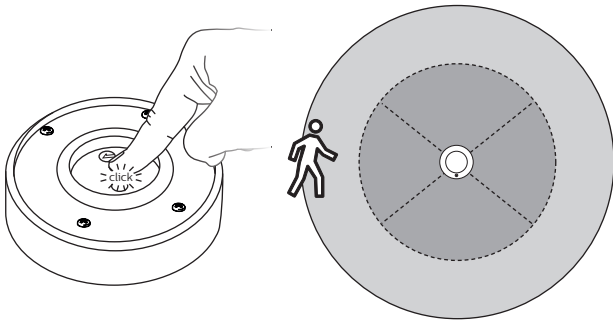


Note
Battery replacement should be done by skilled or instructed person.

Caution
Risk of explosion if battery is replaced by an incorrect type dispose of used batteries according to the instructions.

A walk test will help to determine the optimal location to place the sensor by quickly testing the occupancy detection coverage. It's ONLY possible after sensor has been commissioned.

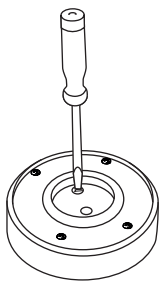
Walk test



- 1 Press once AFTER commissioning to enter/exit the mode
- 2 Red LED on - motion
Red LED off - no motion

- If needed, the sensitivity for motion detection can be adjusted with the dial at the back. Three sensitivity levels are available from Low, Medium to High (Medium as default).

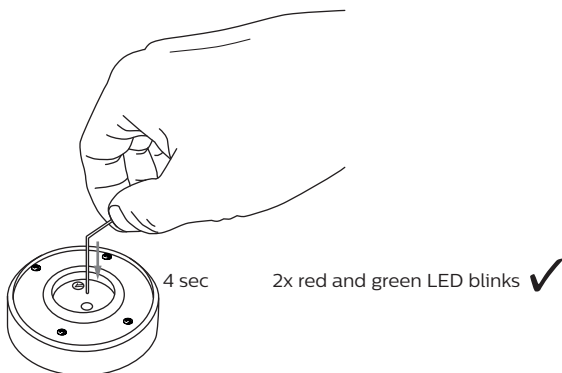
Sensitivity



- L Low
- M Medium
- H High

- Performing factory reset will restore sensor to un-commissioned status. Sensor will be removed from current network (if any).

Factory reset



LED indicator

LED pattern

Green LED blinks every 10 s	Ready for commissioning
Green LED blinks every 2 s	Commissioning in progress
Green LED flash 2x	Commissioning successful
Red LED flash 2x	Commissioning failure
Green and Red LEDs flash 2x	Successful factory reset
Red LED flash 1x	Motion detected in walk test mode
Green LED flash 6x	Occupancy detected
Red LED flash 3x	Occupancy detected and battery low

Specifications

General

Weight	0.175 kg
Material	Polycarbonate
Color	White Ral9003
Mounting height	2.4 to 8 m (7.87 to 26.24 ft)
Battery lifetime	> 10 years
RF range open-air	15 m
Daylight level	1 to 1500 lux at sensor surface

Functional

Motion detection	OCC SENSOR, OCC-DL SENSOR
Daylight	OCC-DL SENSOR

Environmental

Temperature	
operational	-40 °C to 50 °C *
storage	-40 °C to 70 °C
Humidity	0% to 95% non-condensing

* PIR sensing performance is affected by the difference in temperature between the moving object and the ambient.



Ordering Data

Type	Region	MOQ	Ordering number
OCC SENSOR IA CM IP65 WH EU	Europe	1	9137 010 43903
OCC SENSOR IA CM IP65 WH NA	North America	1	9137 010 43913
OCC-DL SENSOR IA CM IP65 WH EU	Europe	1	9137 010 44003
OCC-DL SENSOR IA CM IP65 WH NA	North America	1	9137 010 44013

© 2019 Signify Holding. All rights reserved. Specifications are subject to change without notice. No representation or warranty as to the accuracy or completeness of the information included herein is given and any liability for any action in reliance thereon is disclaimed. Philips and the Philips Shield Emblem are registered trademarks of Koninklijke Philips N.V. All other trademarks are owned by Signify Holding or their respective owners.



www.philips.com/lighting